

St Andrew's Fair

3/4L · J32

X_R 2 X_L 1	$\overbrace{2\ 1\ 3}^{2\ 1\ 3}$ $T_{R\frac{1}{2}} S$ retain hands		$3\ 1\ 2$ 6	$\overbrace{3\ 1\ 2}^{3\ 1\ 2}$ $T_{L\frac{1}{2}} S$ retain hands	
-----------------	---	--	----------------	---	--

Corn Rigs

2/4L · R32

			1 2 P
--	--	--	-----------------

The Lea Rig

2/4L · S32

1 2 2C start on bar 3			1 2 RA	1 2 P
------------------------------	--	--	------------------	-----------------

The Machine without Horses

3/4L · J32

S 1	$1\ 3$ RA	S 1	$1\ 2$ LA			$2\ 1$ RL
------------	---------------------	------------	---------------------	--	--	---------------------

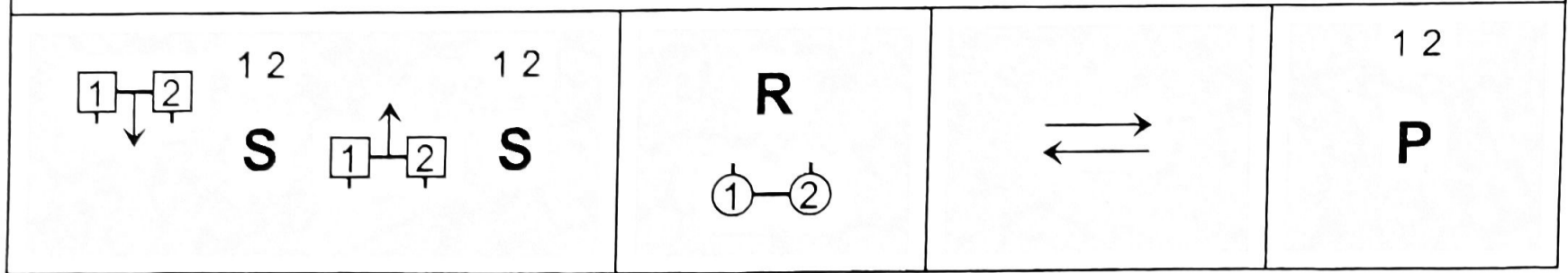
The Red Rose

4S · S32

 RA			 LA	
 T		 T		

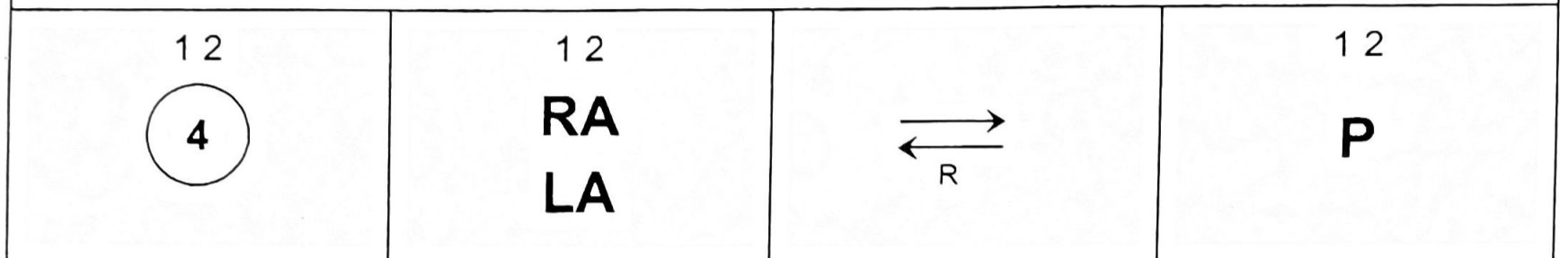
HA! HA! THE WOONIN' O' IT

8x32 R



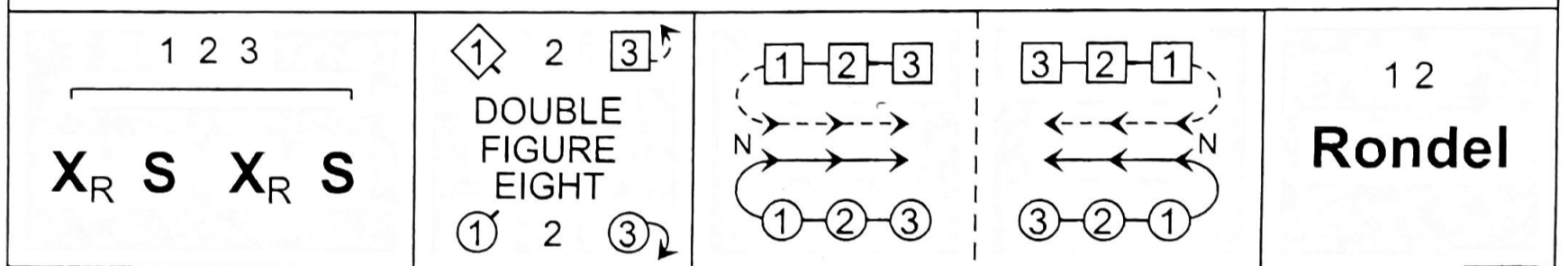
LINTON PLOUGHMAN

8x32 J



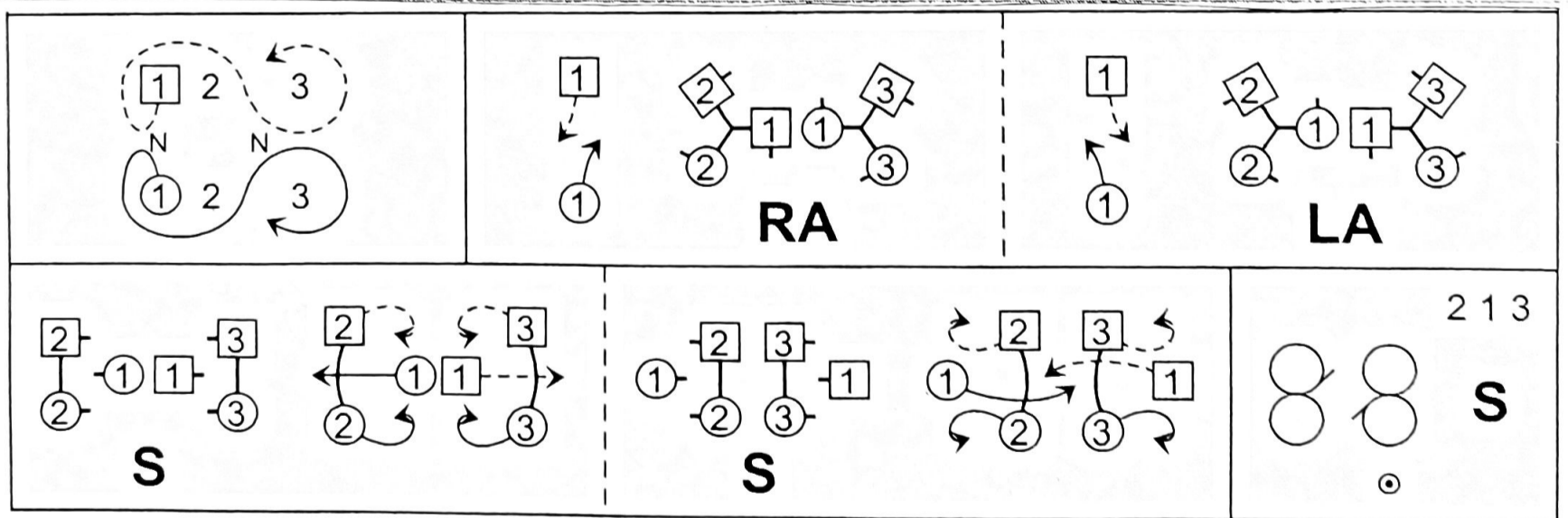
THE SILVER TASSIE

8x32 S



Toast to the Mousies

3/4L · R32



THE DEIL AMANG THE TAILORS

8x32 R

